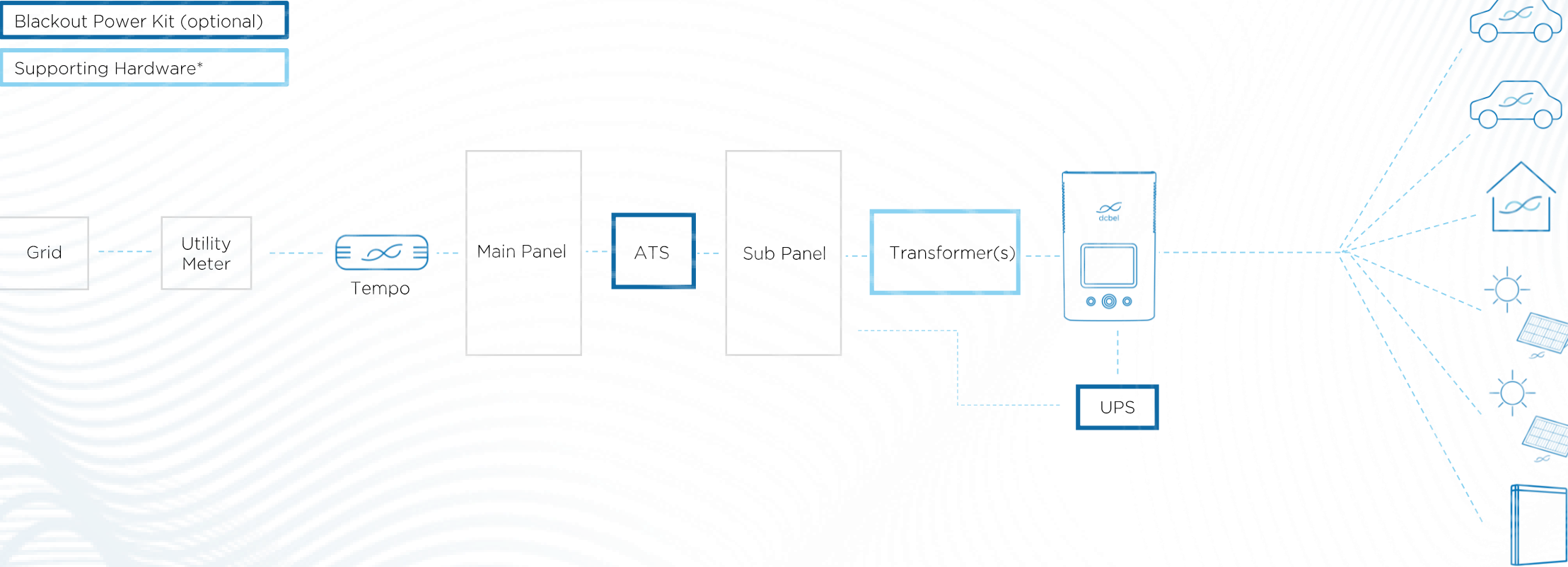


# dcbel Installation Single Line Diagram

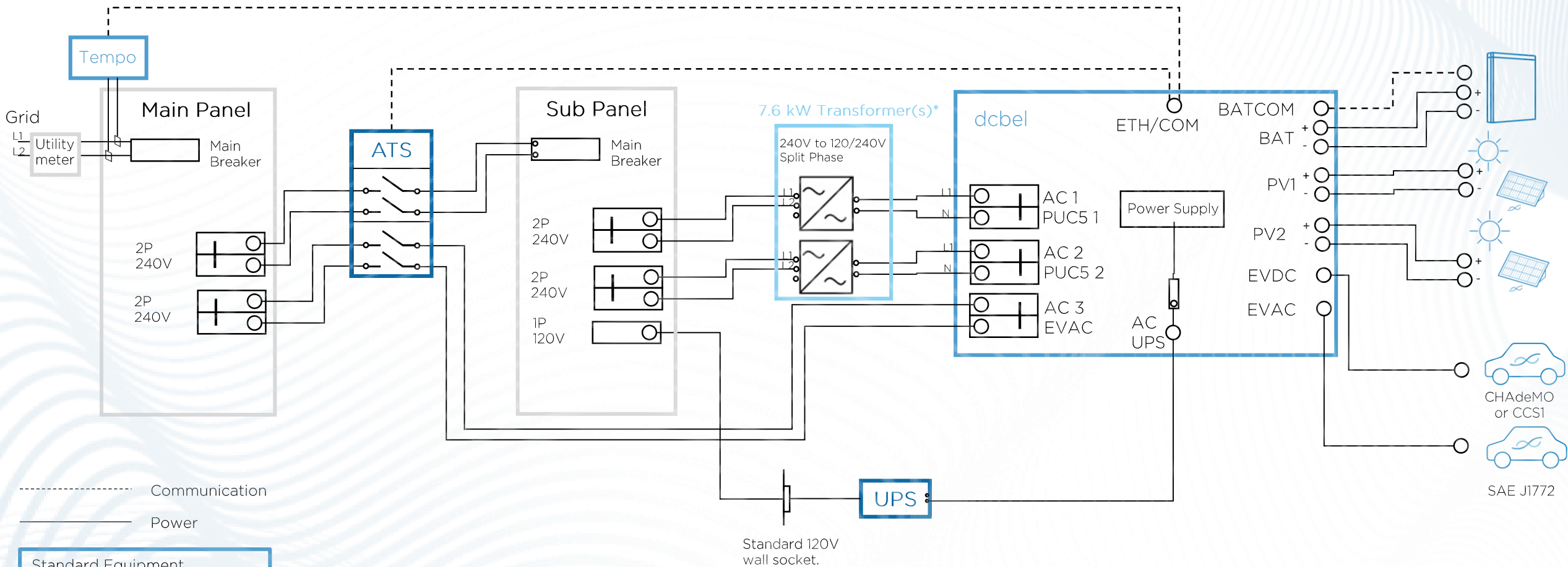
120/240 Vac Split Phase Grid Countries

- Blackout Power Kit (optional)
- Supporting Hardware\*



# dcbel Installation Wiring Diagram

## 120/240 Vac Split Phase Grid Countries



\*Required for residential installations that want to self-generate to power their homes in countries with a +120/-120V split phase grid unless the home has a 3 phase grid connection with 240V available or smart breaker panel with an auto-transformer. Additional supporting hardware may be required depending on local regulations.